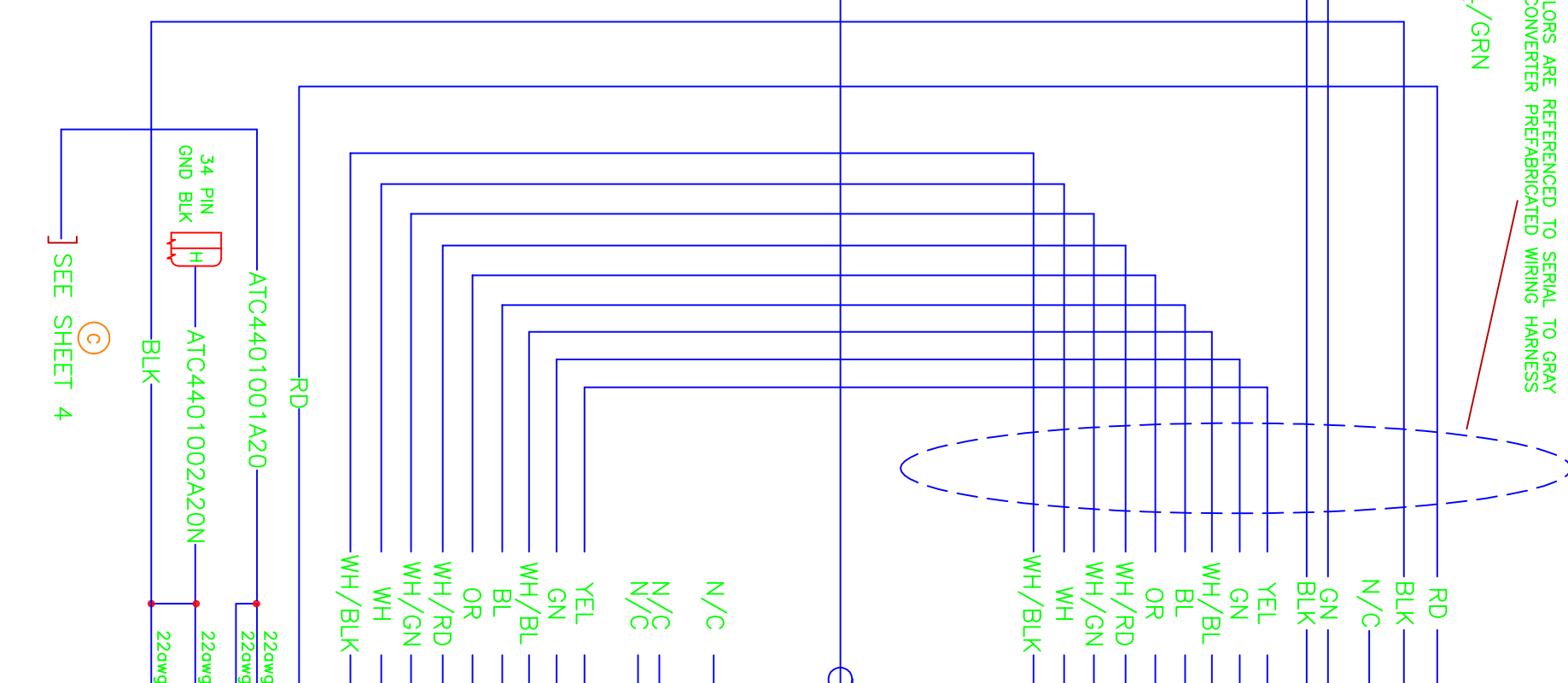
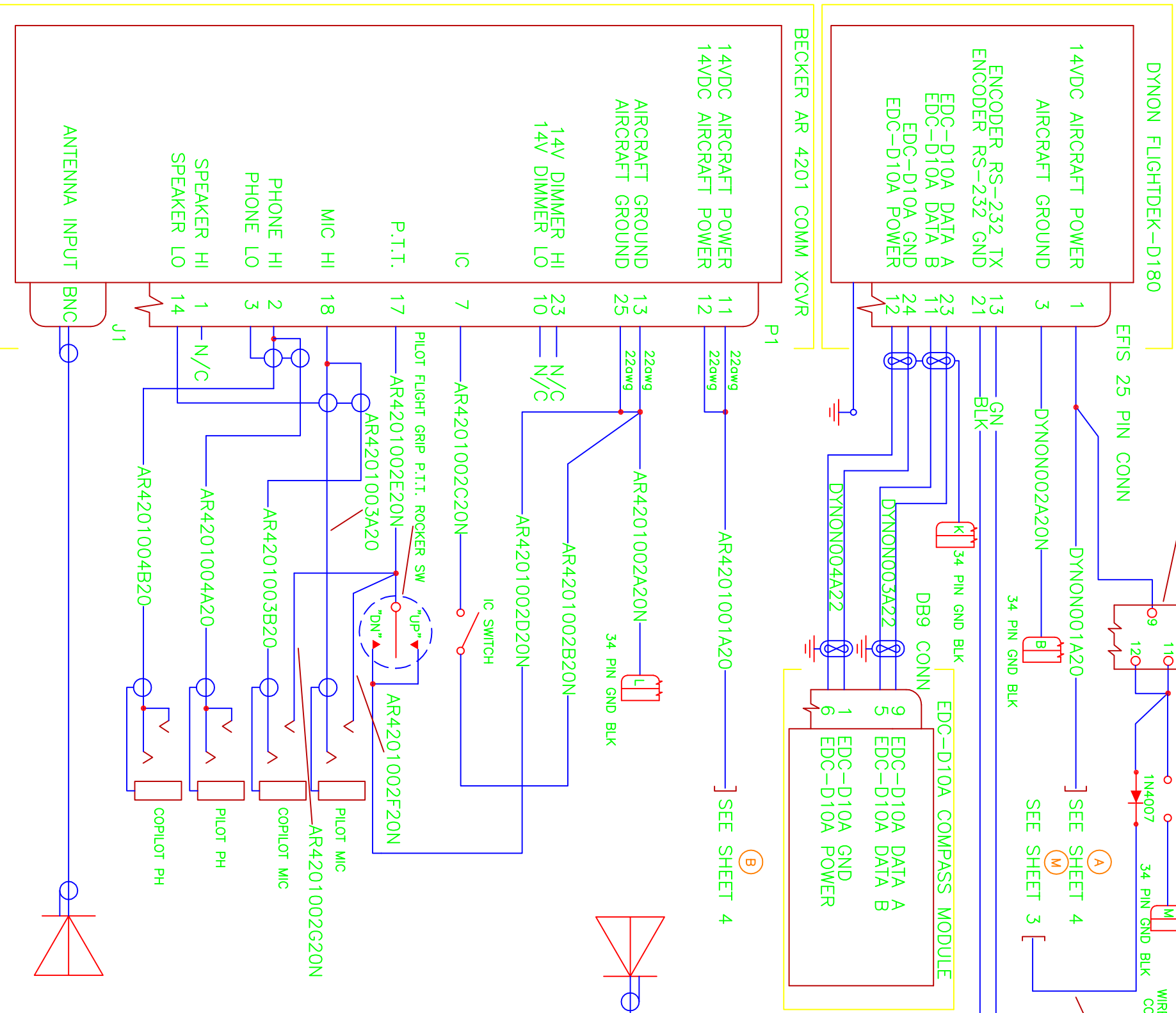


EATON ANN. BOTTOM LEGEND "WARNING"

ANN TEST SW

WIRE COLORS ARE REFERENCED TO SERIAL TO GRAY CODE CONVERTER PREFABRICATED WIRING HARNESS



Terminal	Label	Color	Wiring
1	GRAY CODE A1 IN	GRAY	RD
2	GRAY CODE A2 IN	GRAY	GN
3	GRAY CODE A4 IN	GRAY	WH/BL
14	GRAY CODE B1 IN	GRAY	BL
15	GRAY CODE B2 IN	GRAY	OR
16	GRAY CODE B4 IN	GRAY	WH/RD
17	GRAY CODE C1 IN	GRAY	WH/GN
18	GRAY CODE C2 IN	GRAY	WH
19	GRAY CODE C4 IN	GRAY	WH/BLK
6	14V SW A/C POWER OUT		RD
11	14VDC AIRCRAFT POWER		220W9
12	14VDC AIRCRAFT POWER		220W9
13	AIRCRAFT GROUND		220W9
25	AIRCRAFT GROUND		220W9
7	REPLY LIGHT OUT		N/C
10	14V DIMMER HI		N/C
23	14V DIMMER LO		N/C
1	GRAY CODE A1 IN	GRAY	YEL
2	GRAY CODE A2 IN	GRAY	GN
3	GRAY CODE A4 IN	GRAY	WH/BL
14	GRAY CODE B1 IN	GRAY	BL
15	GRAY CODE B2 IN	GRAY	OR
16	GRAY CODE B4 IN	GRAY	WH/RD
17	GRAY CODE C1 IN	GRAY	WH/GN
18	GRAY CODE C2 IN	GRAY	WH
19	GRAY CODE C4 IN	GRAY	WH/BLK

Terminal	Label	Color	Wiring
1	14V SW A/C POWER IN		RD
2	AIRCRAFT GROUND		BLK
3	STROBE SIGNAL		N/C
4	ENCODER RS-232 RX		GN
5	ENCODER RS-232 GND		BLK
6	GRAY CODE A1 OUT	GRAY	YEL
7	GRAY CODE A2 OUT	GRAY	GN
8	GRAY CODE A4 OUT	GRAY	WH/BL
9	GRAY CODE B1 OUT	GRAY	BL
10	GRAY CODE B2 OUT	GRAY	OR
11	GRAY CODE B4 OUT	GRAY	WH/RD
12	GRAY CODE C1 OUT	GRAY	WH/GN
13	GRAY CODE C2 OUT	GRAY	WH
14	GRAY CODE C4 OUT	GRAY	WH/BLK

Terminal	Label	Color	Wiring
1	ANTENNA INPUT		TNC