

Portable Engine Hoist

I have removed and reinstalled my AeroVee engine several times for various reasons. My plane lives at a tie-down so I don't have a place to keep an engine hoist. And when I had a prop strike in 2016 on an ISLAND (Nantucket) and needed to remove the engine to bring it home to work on, I again needed an engine hoist that was transportable.

I made this hoist from wood 2x4's and a 2x8, and when taken apart it fits in my sedan. The rear seat folds down and so I can put the long log of the "T" up the middle, between the driver and passenger, and the short legs of the "T" just fit left to right in the trunk. You may have to measure your own vehicle to see what will fit, but keeping the legs as long as possible will help with stability.

I had thought about putting everything on wheels, but I would have had to substantially beef up the horizontal legs. Also, with the engine hanging from the cross beam even 46" long legs would have a difficult time keeping the assembly from toppling if the engine got to swinging.

Materials List:

- (5) 2x4 x 8'
- (4) Tee brackets
- (8) 5/16" x 6" bolts
- (8) 5/16" nuts
- (16) fender washers for 5/16" dia bolts
- (2) dozen 3" long wood screws
- (several) 4d (1-1/2" long) nails
- 5' – 6' of heavy nylon rope
- Harbor Freight ¼ ton chain hoist (Haul Master #67144) – or similar

Harbor Freight Chain Hoist

[Home](#) | [1/4 ton Lever Manual Chain Hoist](#)

[< Previous Item](#) [Next Item >](#)



1/4 ton Lever Manual Chain Hoist



Haul-Master® - Item#67144



[Read 38 Reviews](#)

[Write A Review](#)

A chain hoist that lifts up to 500 lb. safely

[Compare](#) \$99.99

Only: \$49.99

Qty:

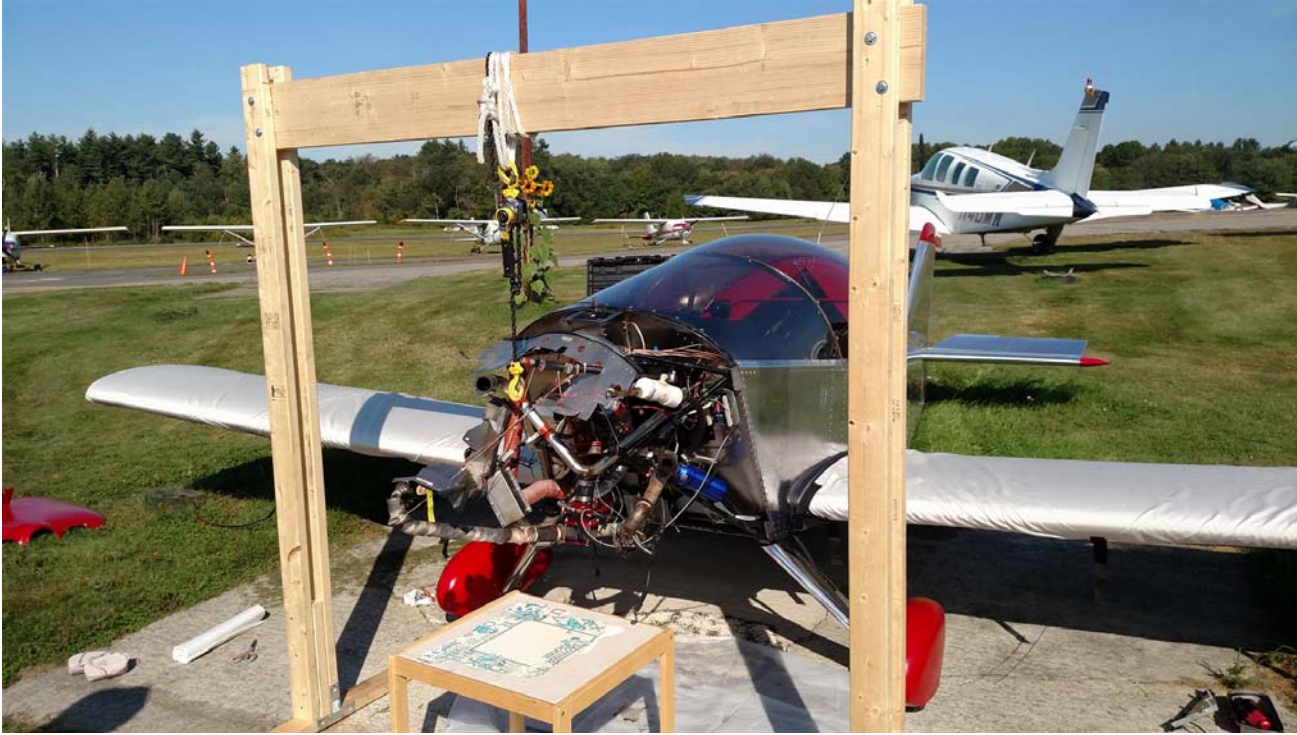
[ADD TO CART](#)

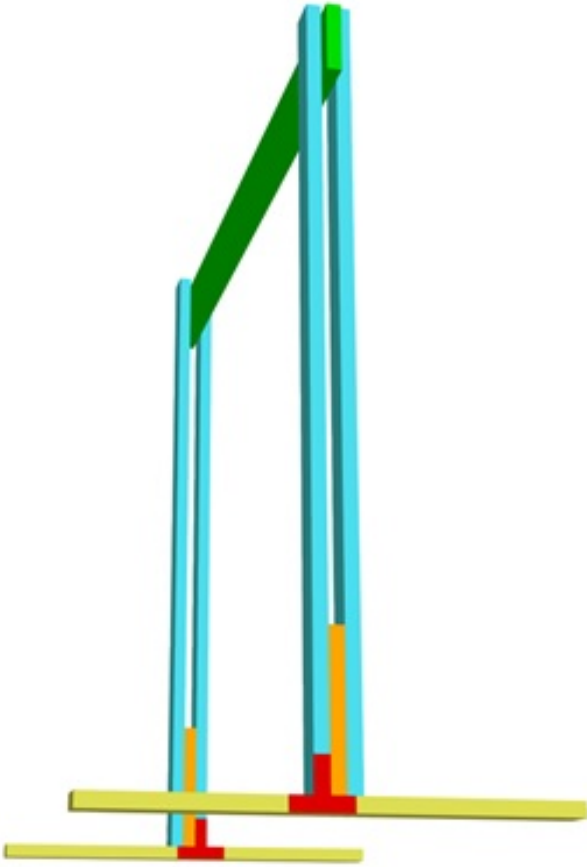
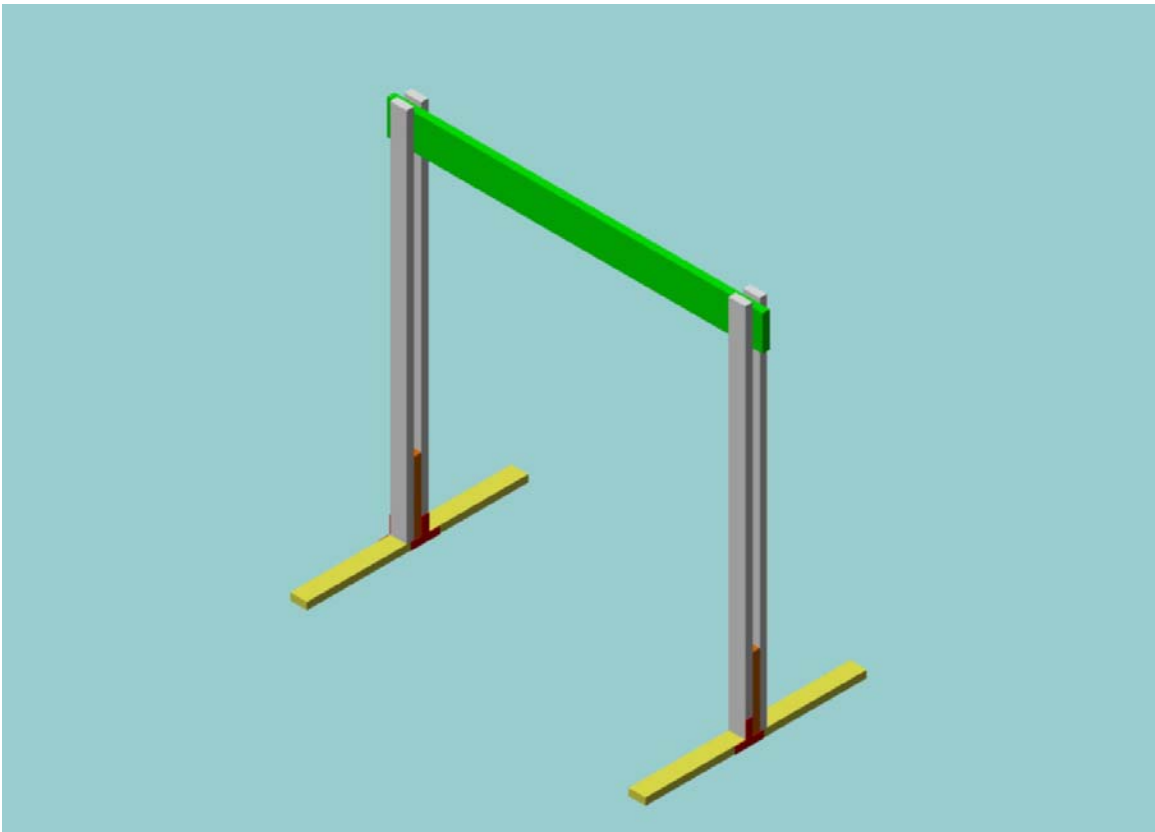
[Add to My List](#)

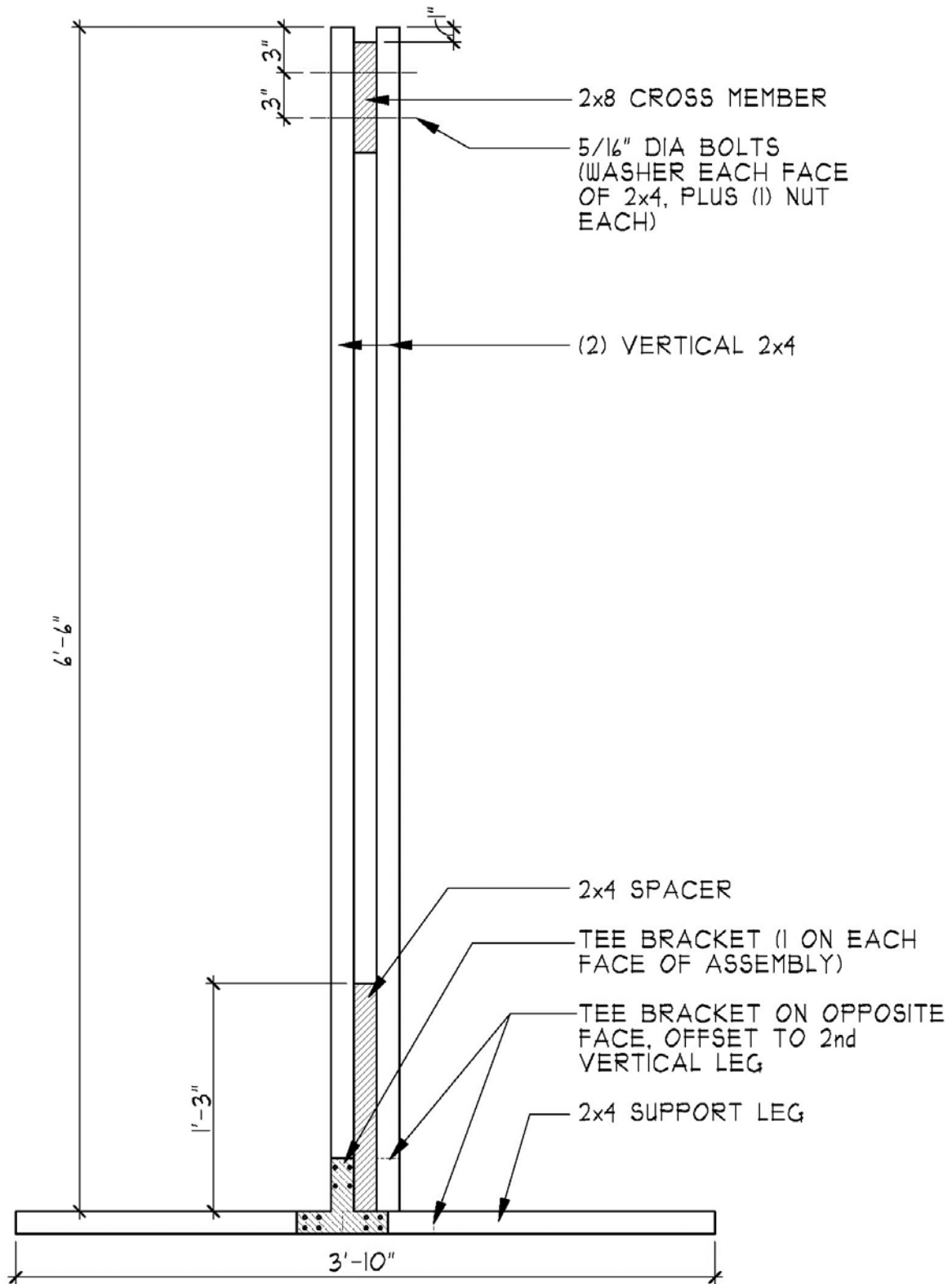
[View Shipping Rates](#)

[Print This Page](#)

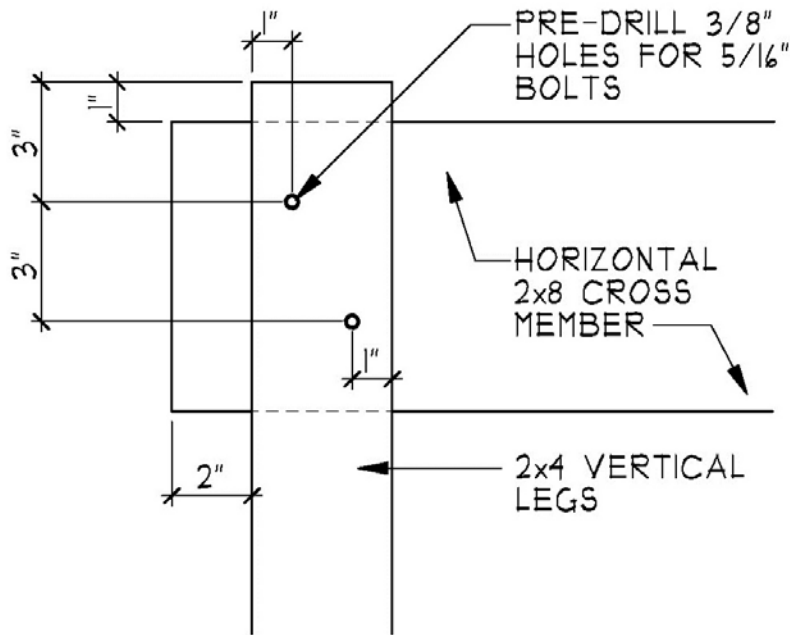
Here is the finished product in use.



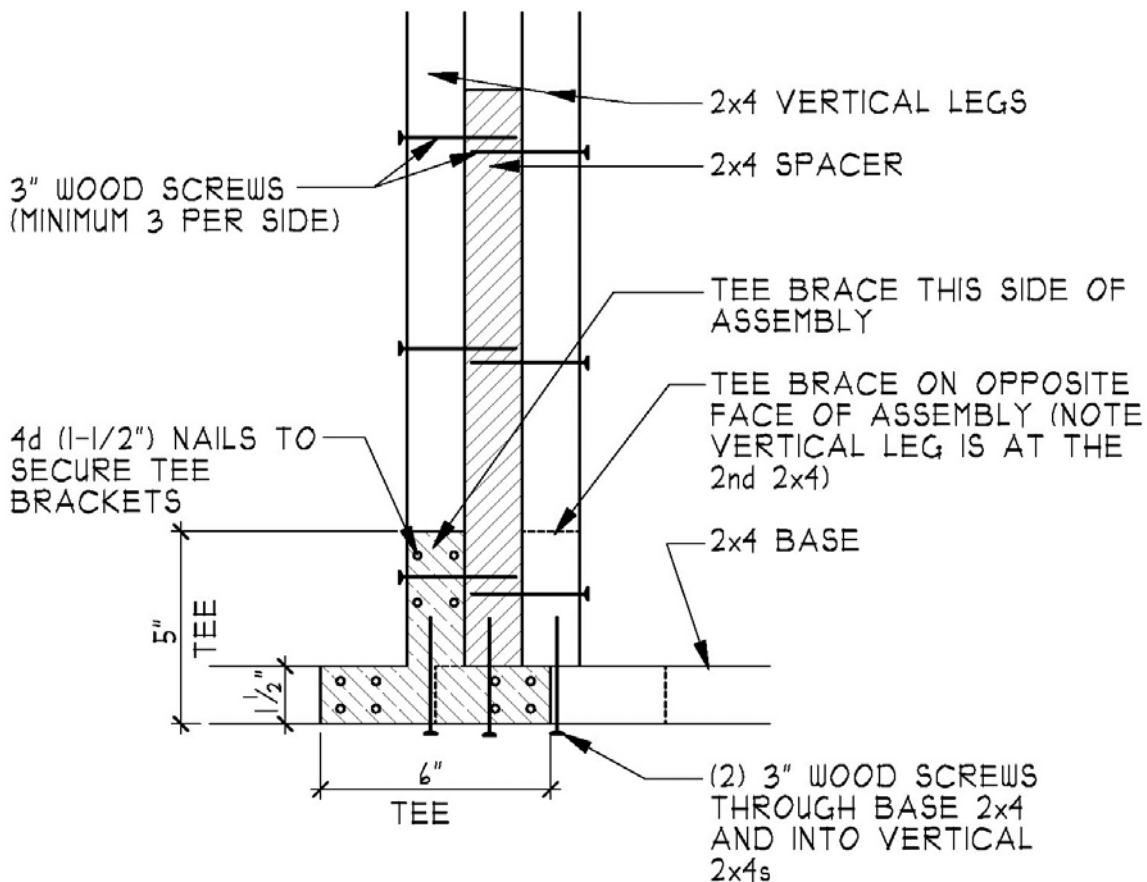




1 TYPICAL SUPPORT ASSEMBLY (x2)
SCALE: NO SCALE



2 CROSS MEMBER DETAIL
SCALE: NO SCALE



3 BASE DETAIL
SCALE: NO SCALE