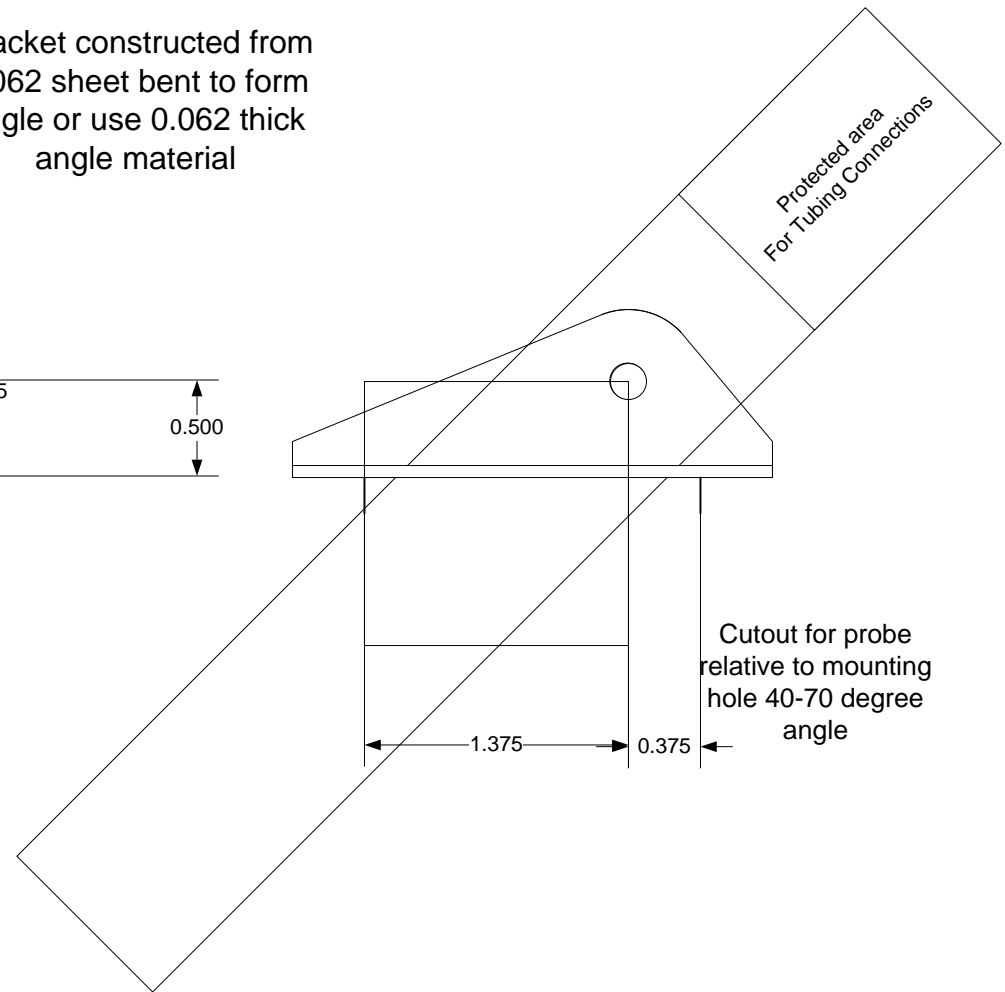
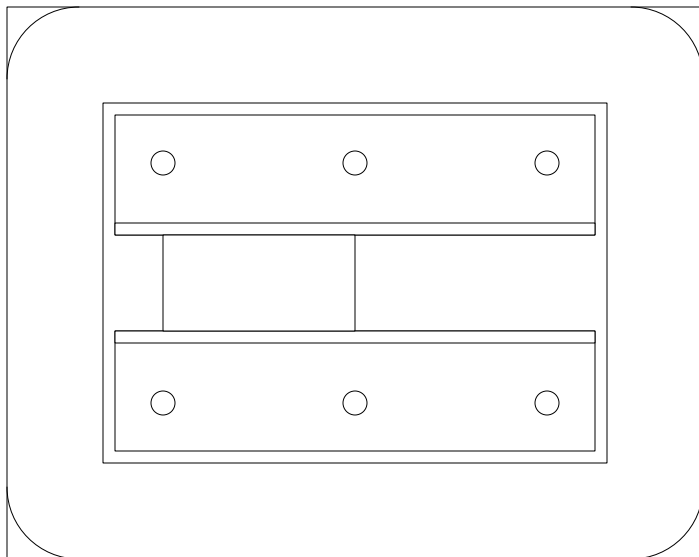
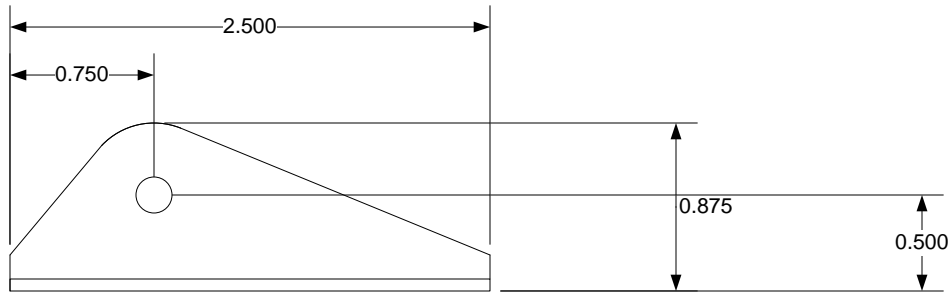


Bracket constructed from 0.062 sheet bent to form angle or use 0.062 thick angle material



Notes:

This design inspired and largely copied from Sonex #1017 installation. Use at your own risk. This installation is not flying or tested yet. Dimensions should convert to fractional equivalents as needed.

AOA Probe, Bracket and Mounting Angle			
	Sonex #1058	1/28/11	R. Scott Hobson