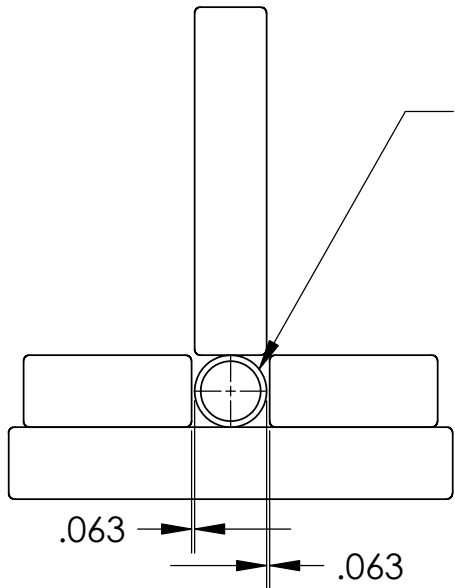
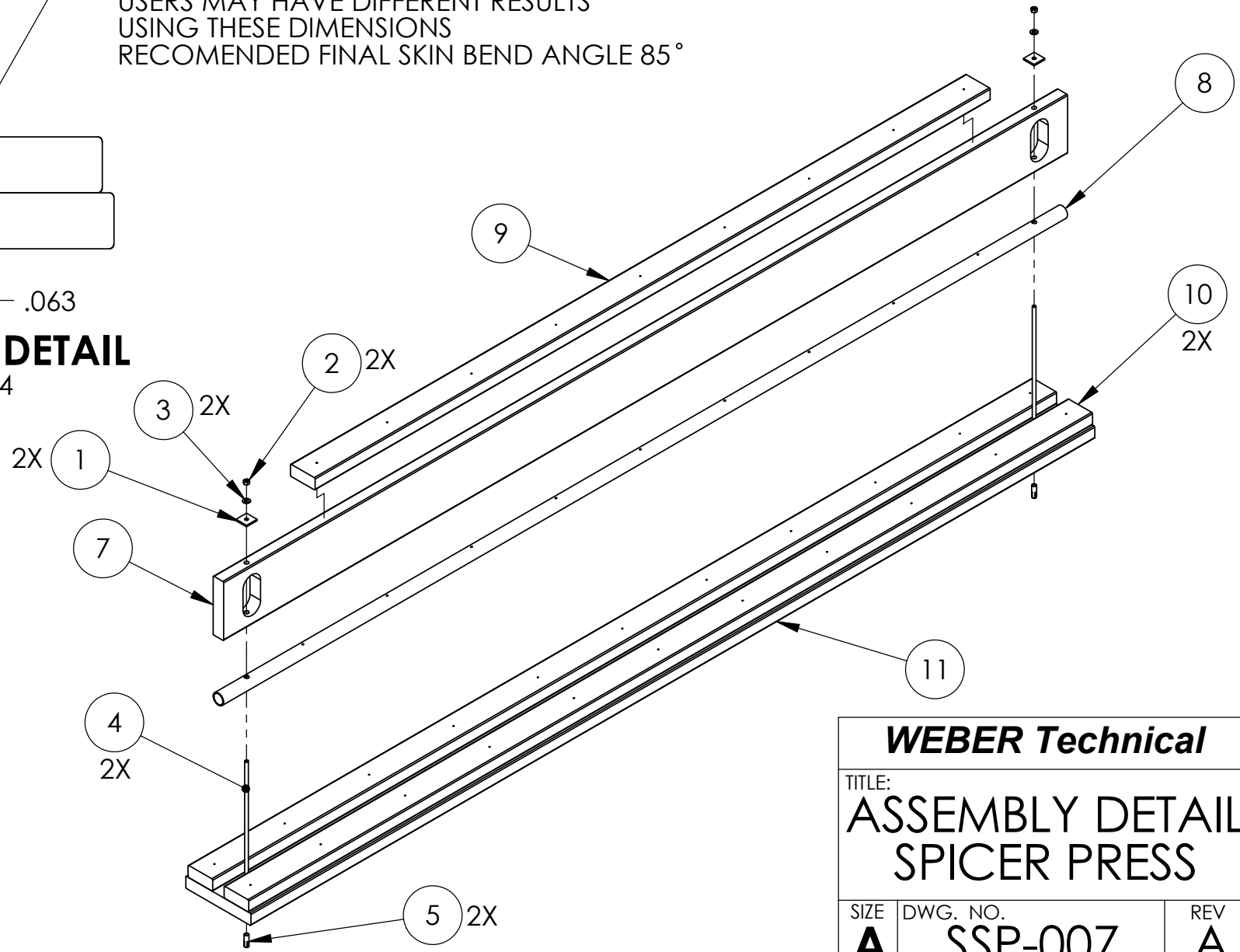


REVISIONS		
REV.	DESCRIPTION	DATE
A	INITIAL RELEASE	

DISTANCE FROM PIPE OUTSIDE DIAMETER TO BASE RAIL MAY VARY
 USERS MAY HAVE DIFFERENT RESULTS
 USING THESE DIMENSIONS
 RECOMENDED FINAL SKIN BEND ANGLE 85°



PIPE TO RAIL DETAIL
 SCALE - 1:4



WEBER Technical

TITLE:
**ASSEMBLY DETAIL
 SPICER PRESS**

SIZE A	DWG. NO. SSP-007	REV A
SCALE: 1:10	DATE: 09/07/05	SHEET 7 OF 7